



# PaceSaver Scooters

**PaceSaver®**  
Scooters

Effective April 15, 2008

**All PaceSaver Scooters come standard: Body - candy apple red, ocean blue or midnight black; Com-for-back™ Seat - black, gray velvet, faux-leather - charcoal, or gray: alloy wheels, Soft Touch™ tiller with integrated light & basket, transaxle transmission, 110 amp controller and right hand drive. See literature for complete list of features and specifications.**

Model	Part Number	HCPCS	Suggested Retail
-------	-------------	-------	------------------

**Fusion™ 250**                      **17478**                      **K0806**                      **\$3300**

**300lb. Capacity.** Similar to Fusion 350 with 1<sup>1/4</sup> HP Motor. 5 mph. 22” overall width. 18” wide heavy-duty Com-for-back™ seat, PaceSaver Extra Degree of Protection™ MIR 12°.

**Fusion™ 350**                      **17477**                      **K0807**                      **\$3300**

**350lb. Capacity.** Revolutionary Fusion Total Environment Vehicle with 29.5” turning radius is more maneuverable than many power wheelchairs and up to 30% more maneuverable than typical travel scooters. 110 amp control. 1<sup>1/4</sup> HP, 4 Pole High Torque Motor. 24” overall width. 18” wide heavy-duty Com-for-back™ seat, PaceSaver Extra Degree of Protection™ MIR 12°. 5 mph. Luxurious seating with height and width adjustable arms. On or off board charger.

**Fusion™ 450**                      **15085**                      **K0807**                      **\$3,500**

**450lb. capacity.** Revolutionary Fusion Total Environment Vehicle with 29.5” turning radius is more maneuverable than many power wheelchairs and up to 30% more maneuverable than typical travel scooters. 110 amp control. 1<sup>1/4</sup> HP, 4 Pole High Torque Motor. 26” overall width. 21” wide heavy-duty Com-for-back™ seat, PaceSaver Extra Degree of Protection™ MIR 10°. 4.5 mph. Luxurious seating with height and width adjustable arms. On or off board charger.

**Fusion™ 500**                      **15090**                      **K0808**                      **\$3700**

**500lb. capacity.** Similar dimensions as Fusion 450 with 1<sup>1/4</sup> HP Motor. 4.5 mph. 26” overall width. 21” wide heavy-duty Com-for-back™ seat, Seat is 1” further back. PaceSaver Extra Degree of Protection™ MIR 8°.

Model	Part Number	HCPCS	Suggested Retail
-------	-------------	-------	------------------

**Espree™ Premier**                      **15068**                      **K0806**                      **\$2895**

Standard: 9” or 10” pneumatic rear tires, (1<sup>1/4</sup> hp Total), **300 lb. capacity**, 4.30 mph (9”) or 5.25 mph (10”), on-board charger and removable arms. PaceSaver Extra Degree of Protection™ MIR 12°.

**Espree™ Titan**                      **15057**                      **K0807**                      **\$3299**

Standard: Similar to Espree Premier 10”, except (1<sup>1/4</sup> hp Total), heavy-duty (HD) transaxle transmission, **350 lb. capacity** and 5.40 mph maximum speed. PaceSaver Extra Degree of Protection™ MIR 12°.



Effective April 15, 2008

Model	Part Number	HCPCS	Suggested Retail
<b><u>Espree™ Atlas</u></b>	<b>15035</b>	<b>K0807</b>	<b>\$3495</b>
Standard: Similar to Espree Premier 10", except (1 <sup>1/4</sup> hp Total), <u>HD transaxle transmission</u> , <u>21" wide heavy-duty Com-for-back™ seat</u> , <u>height &amp; width adjustable arms</u> , <b>450lb. capacity</b> , <i>PaceSaver Extra Degree of Protection™</i> MIR 10°.			

<b><u>Espree™ Atlas 5</u></b>	<b>15086</b>	<b>K0808</b>	<b>\$3695</b>
Standard: Similar to Espree Premier 10", except (1 <sup>1/4</sup> hp Total), <u>HD transaxle transmission</u> , <u>21" wide heavy-duty Com-for-back™ seat</u> , <u>height &amp; width adjustable arms</u> , <b>500lb. capacity</b> , <i>PaceSaver Extra Degree of Protection™</i> MIR 8°			

Model	Part Number	HCPCS	Suggested Retail
<b><u>Plus III™ Premier</u></b>	<b>15067</b>	<b>K0806</b>	<b>\$2695</b>
Standard: 9" or 10" pneumatic rear tires, (1 <sup>1/4</sup> hp Total), <b>300 lb. capacity</b> , <u>4.30 mph (9") or 5.25 mph (10") flip-up arms</u> , individual battery boxes. <i>PaceSaver Extra Degree of Protection™</i> MIR 12°.			

<b><u>Plus III™ Titan</u></b>	<b>15063</b>	<b>K0807</b>	<b>\$3099</b>
Standard: Similar to Plus III Premier 10" , except (1 <sup>1/4</sup> hp Total), <u>heavy-duty (HD) transaxle transmission</u> , <b>350 lb. capacity</b> , <u>5.40 mph maximum speed and removable arms</u> . <i>PaceSaver Extra Degree of Protection™</i> MIR 12°			

<b><u>Plus III™ Atlas</u></b>	<b>15083</b>	<b>K0807</b>	<b>\$3295</b>
Standard: Similar to Plus III Premier 10", except (1 <sup>1/4</sup> hp Total), <u>HD transaxle transmission</u> , <u>21" wide heavy-duty Com-for-back™ seat</u> , <u>height &amp; width adjustable arms</u> , <u>on-board charger</u> , <b>450lb. capacity</b> , <i>PaceSaver Extra Degree of Protection™</i> MIR 10°.			

Model	Part Number	HCPCS	Suggested Retail
<b><u>Eclipse™ Premier</u></b>	<b>15072</b>	<b>K0807</b>	<b>\$2995</b>
Standard: 10" pneumatic tires, (1 <sup>1/4</sup> hp Total), <u>heavy-duty (HD) transaxle transmission</u> , <b>350 lb. capacity</b> and <u>5.40 mph maximum speed</u> . Also on-board charger, Delta tiller, one piece battery cover and removable arms. <i>PaceSaver Extra Degree of Protection™</i> MIR 12°. 4 Wheel.			

<b><u>Eclipse™ Atlas</u></b>	<b>15073</b>	<b>K0807</b>	<b>\$3555</b>
Standard: Similar to Eclipse Premier, except <u>21" Com-for-back™ Seat</u> , <b>450 lb. capacity</b> and <u>height &amp; width adjustable arms</u> . <i>PaceSaver Extra Degree of Protection™</i> MIR 10°. 4 Wheel (1 <sup>1/4</sup> hp Total)			

<b><u>Eclipse™ Atlas 5</u></b>	<b>15087</b>	<b>K0808</b>	<b>\$3655</b>
Standard: Similar to Eclipse Premier, except <u>21" Com-for-back™ Seat</u> , <b>500 lb. capacity</b> and <u>height &amp; width adjustable arms</u> . <i>PaceSaver Extra Degree of Protection™</i> MIR 8°. 4 Wheel (1 <sup>1/4</sup> hp Total)			



# Scout Power Wheelchairs



Effective April 15, 2008

***These Scout Power Wheelchairs come standard: Body - candy apple red, ocean blue or mid-night black; Com-for-back™ Seat - black, gray velvet, faux-leather - charcoal, or gray: single seat post, alloy wheels, adjustable flip-up footplate, pelvic strap, and right or left hand drive. See literature for complete list of features and specifications.***

Model	Part Number	HCPCS	Suggested Retail
-------	-------------	-------	------------------

***Scout™ CC 81121A K0849 \$5,200***  
*Midi-Drive™ Power Wheelchair - 300 lb. capacity, PaceSaver Extra Degree of Protection™ MIR 9° Standard: 18" x 18" Heavy-Duty Com-for-back™ Seat. 14" pneumatic tires (drive), High Torque 4 Pole Motors (1½ hp Total), height adjustable/removable arms. Adjustable/independent suspension and a separating frame.*

***Scout™ SS 81121A K0848 \$5,400***  
*Midi-Drive™ Power Wheelchair - 300 lb. capacity, PaceSaver Extra Degree of Protection™ MIR 9° Standard: 18" x 18" Solid Seat. 14" pneumatic tires (drive), High Torque 4 Pole Motors (1½ hp Total), height adjustable/removable arms. Adjustable/independent suspension and a separating frame.*

***Scout™ RF CC 81113A K0823 \$5,100***  
*Midi-Drive™ Power Wheelchair - 300 lb. capacity, PaceSaver Extra Degree of Protection™. MIR 9° Standard: 18" x 18" Heavy-Duty Com-for-back™ Seat. Similar to Scout, except exclusion of suspension and frame separation. Width adjustable/removable arms.*

***Scout™ RF SS 81113A K0822 \$5,300***  
*Midi-Drive™ Power Wheelchair - 300 lb. capacity, PaceSaver Extra Degree of Protection™. MIR 9° Standard: 18" x 18" Solid Seat. Similar to Scout, except exclusion of suspension and frame separation. Width adjustable/removable arms.*

***Scout™ RF-P3 CC 82554 K0869 \$6,500***  
*Midi-Drive™ Power Wheelchair - 6 m.p.h., 300 lb. capacity, PaceSaver Extra Degree of Protection™. MIR 9° optional Stanza™ available. 18" x 18" Admiral™ 50° Recline Seat, 4 point seat post, 14" pneumatic tires (drive) High Torque 4 Pole Motors (1½ hp Total), width adjustable/removable arms, alloy wheels, adjustable flip-up footplate, easy battery access, pelvic strap, and right or left hand drive. See literature for complete list of features and specifications.*

***Scout™ RF-P3 SS 82554 K0868 \$6,700***  
*Midi-Drive™ Power Wheelchair - 6 m.p.h., 300 lb. capacity, PaceSaver Extra Degree of Protection™. MIR 9° optional Stanza™ available. 18" x 18" Solid Seat, 4 point seat post, 14" pneumatic tires (drive), High Torque 4 Pole Motors (1½ hp Total), width adjustable/removable arms, alloy wheels, adjustable flip-up footplate, easy battery access, pelvic strap, and right or left hand drive. See literature for complete list of features and specifications.*



# Scout Power Wheelchairs



Effective April 15, 2008

**These Scout Power Wheelchairs come standard: Body - candy apple red, ocean blue or mid-night black; Com-for-back™ Seat - black, gray velvet, faux-leather - charcoal, or gray: single seat post, alloy wheels, adjustable flip-up footplate, pelvic strap, and right or left hand drive. See literature for complete list of features and specifications.**

Model	Part Number	HCPCS	Suggested Retail
-------	-------------	-------	------------------

**Scout™RF-P4 CC 81491 K0825 \$6,500**

*Midi-Drive™ Power Wheelchair - 450 lb. capacity, PaceSaver Extra Degree of Protection™. MIR 9° 21" x 21" Admiral™ 50° Recline Seat, 4 point seat post, 14" pneumatic tires (drive), dual (1½ hp Total) motors, width adjustable/removable arms, alloy wheels, adjustable flip-up footplate, easy battery access, pelvic strap, and right or left hand drive. See literature for complete list of features and specifications. (Stanza™ optional)*

**Scout™RF-P4 SS 81491 K0824 \$6,700**

*Midi-Drive™ Power Wheelchair - 450 lb. capacity, PaceSaver Extra Degree of Protection™. MIR 9° Standard: 21" x 21" Solid Seat, 4 point seat post, 14" pneumatic tires (drive), dual (1½ hp Total) motors, width adjustable/removable arms, alloy wheels, adjustable flip-up footplate, easy battery access, pelvic strap, and right or left hand drive. See literature for complete list of features and specifications.(Stanza™ optional)*

**Scout™RF4 CC 81122 K0825 \$6,995**

*Midi-Drive™ Power Wheelchair - 425 lb. capacity, PaceSaver Extra Degree of Protection™. MIR 7° Standard: Body - 21" x 21" Heavy-Duty Com-for-back™ Seat, 12" pneumatic tires (drive), dual (1½ hp Total) motors, height & width adjustable/removable arms. Heavy-duty one piece frame.*

**Scout™RF4 SS 81122 K0824 \$7,195**

*Midi-Drive™ Power Wheelchair - 425 lb. capacity, PaceSaver Extra Degree of Protection™. MIR 7° Standard: Body - 21" x 21" Solid Seat, 12" pneumatic tires (drive), dual (1½ hp Total) motors, height & width adjustable/removable arms. Heavy-duty one piece frame.*

Model	Part Number	HCPCS	Suggested Retail
-------	-------------	-------	------------------

**Scout™M1-CC 81445 K0823 \$5,050**

*Push-Button Reversible Power Wheelchair - 300 lb. capacity, PaceSaver Extra Degree of Protection™. MIR 8° Standard: Body - 18" x 18" Heavy-Duty Com-for-back™ Seat, 10" pneumatic tires, alloy wheels, 4 Pole (1½ hp Total) High Torque Motors, height adjustable/removable arms. **Push-Button converts to either front-wheel or rear-wheel drive operation. Also available with Dual Footplates.***

**Scout™M1-SS 81445 K0822 \$5,250**

*Push-Button Reversible Power Wheelchair - 300 lb. capacity, PaceSaver Extra Degree of Protection™. MIR 8° Standard: Body - 18" x 18" Solid Seat, 10" pneumatic drive tires, alloy wheels, 4 Pole (1½ hp Total) High Torque Motors, height adjustable/removable arms. **Push-Button converts to either front-wheel or rear-wheel drive operation. Also available with Dual Footplates.***



# Scout Power Wheelchairs



Effective April 15, 2008

***These Scout Power Wheelchairs come standard: Body - candy apple red, ocean blue or mid-night black; Com-for-back™ Seat - black, gray velvet, faux-leather - charcoal, or gray: single seat post, alloy wheels, adjustable flip-up footplate, pelvic strap, and right or left hand drive. See literature for complete list of features and specifications.***

Model	Part Number	HCPCS	Suggested Retail
-------	-------------	-------	------------------

**Scout™ MI-350 CC 350 lb. 81855 K0825 \$5,350**  
 Standard: Similar to any Scout M-series, except **350 lb. capacity**, heavy-duty frame, (1<sup>1/2</sup> hp Total) high torque motors and flat free tires are standard. *PaceSaver Extra Degree of Protection™*. MIR 6°

**Scout™ MI-350 SS 350 lb. 81855 K0824 \$5,550**  
 Standard: Similar to any Scout M-series, except **350 lb. capacity**, heavy-duty frame, (1<sup>1/2</sup> hp Total) high torque motors and flat free tires are standard. *PaceSaver Extra Degree of Protection™*. MIR 6°

***The Scout BOSS 4.5 Power Wheelchairs come standard: Body - ocean blue and candy apple red; Admiral™ 50° Recline Seat - black or gray velvet, faux-leather - charcoal or gray: 4 point seat post, 14" pneumatic tires (drive), height & width adjustable/removable arms, alloy wheels, adjustable flip-up footplate, easy battery access, pelvic strap, and right or left hand drive. See literature for complete list of features and specifications.***

(Boss 4.5 SS - K0850 G3) & (Boss 4.5 CC - K0851 G3) have codes that can be used now. Medicare has agreed and has changed codes to a Group 2 as Boss 4.5 does not have spring suspension. The Boss 4.5 SS is a K0824 and the Boss 4.5 CC is a K0825.

Call For Boss 4.5 Single Power & Multiple Power Codes.

Model	Part Number	HCPCS	Suggested Retail
-------	-------------	-------	------------------

**Scout™ BOSS 4.5 CC 82348 K0824 \$7,249**  
*Midi-Drive™ Power Wheelchair - 450 lb. capacity, PaceSaver Extra Degree of Protection™*. MIR 7°  
 Standard: 21" x 21" Admiral™ 50° Recline, Heavy-duty one piece frame. Shark joystick and 150 amp. controller. Dual Inline Drive 4 Pole High torque Motors (1<sup>3/4</sup> hp Total).

**Scout™ BOSS 4.5 SS 82348 K0825 \$7,449**  
*Midi-Drive™ Power Wheelchair - 450 lb. capacity, PaceSaver Extra Degree of Protection™*. MIR 7°  
 Standard: Standard: 21" x 21" Solid Seat, Heavy-duty one piece frame. Shark joystick and 150 amp. controller. Dual Inline Drive 4 Pole High torque Motors (1<sup>3/4</sup> hp total).



# Scout Power Wheelchairs



Effective April 15, 2008

**The Scout BOSS 6, 6NS & BOSS 6.75 Power Wheelchairs come standard: Body - candy apple red, ocean blue or midnight black; Com-for-back™ Seat - black, gray velvet, faux-leather - charcoal, or gray: 4 point seat post, 12" flat free tires (drive), height & width adjustable/removable arms, alloy wheels, adjustable flip-up footplate, easy battery access, pelvic strap, and right or left hand drive. See literature for complete list of features and specifications.**

Model	Part Number	HCPCS	Suggested Retail
-------	-------------	-------	------------------

**Scout™ BOSS 6 NS/CC      82250                      K0827                      \$7,500**

*Midi-Drive™ Power Wheelchair - 600 lb. capacity, PaceSaver Extra Degree of Protection™. MIR 7° Standard: 24" x 21" Heavy-Duty Com-for-back™ Seat. Shark joystick, 150 amp. controller and a one piece frame **without suspension**. Dual Inline Drive 4 Pole High torque Motors (1<sup>3/4</sup> hp Total).*

**Scout™ BOSS 6 NS/SS      82250                      K0826                      \$7,700**

*Midi-Drive™ Power Wheelchair - 600 lb. capacity, PaceSaver Extra Degree of Protection™. MIR 7° Standard: 24" x 21" Solid Seat. Shark joystick, 150 amp. controller and a one piece frame **without suspension**. Dual Inline Drive 4 Pole High torque Motors (1<sup>3/4</sup> hp Total).*

**Scout™ BOSS 6 CC              82628                      K0853                      \$12,000**

*Midi-Drive™ Power Wheelchair - 600 lb. capacity, PaceSaver Extra Degree of Protection™. MIR 7° Standard: 24" x 21" Heavy-Duty Com-for-back™ Seat. Uses Shark joystick, 150 amp. controller. Heavy duty spring suspension frame. Dual Inline Drive 4 Pole High torque Motors (1<sup>3/4</sup> hp Total).*

**Scout™ BOSS 6 SS              82628                      K0852                      \$12,200**

*Midi-Drive™ Power Wheelchair - 600 lb. capacity, PaceSaver Extra Degree of Protection™. MIR 7° Standard: 24" x 21" Solid Seat. Uses Shark joystick, 150 amp. controller. Heavy duty spring suspension frame. Dual Inline Drive 4 Pole High torque Motors (1<sup>3/4</sup> hp Total).*

**Scout™ BOSS 6.75 CC      82062                      K0855                      \$12,500**

*Midi-Drive™ Power Wheelchair - 650 lb. capacity, PaceSaver Extra Degree of Protection™. MIR 7° Standard: 24" x 21" Heavy-Duty Com-for-back™ Seat. Shark joystick, 180 amp. controller. Heavy duty spring suspension frame. Dual Inline Drive 4 Pole High torque Motors (1<sup>3/4</sup> hp Total).*

**Scout™ BOSS 6.75 SS      82062                      K0854                      \$12,700**

*Midi-Drive™ Power Wheelchair - 675 lb. capacity, PaceSaver Extra Degree of Protection™. MIR 7° Standard: 24" x 21" Solid Seat. Shark joystick, 180 amp. controller. Heavy duty spring suspension frame. Dual Inline Drive 4 Pole High torque Motors (1<sup>3/4</sup> hp Total).*



# Equalizer Tilt System



Effective April 15, 2008

Model	Part Number	HCPCS	Suggested Retail
Equalizer™	<b>30229</b>	<b>E1002</b>	<b>\$4300</b>

*Equalizer Tilt System* - Full featured, high quality, fully adjustable weight shifting 50° tilt system with ultra low center of gravity throughout the entire tilt cycle. Base adjusts 16" - 22" in width and 14" - 22" in depth. Padded curved back adjust 4° anterior to 20° posterior. Back folds for transport, **300 lb. capacity**. Pelvic strap standard. Length & angle adjustable center column legrest. Elevating legrest & swing-aways available. Arms are removable, flip-up, height, angle and length adjustable. Available with integral or non-integral controller. New Shark integrated joy stick control of tilt & power seat with drive lockout available.  
**See literature for complete list of features and options.**

Model	Part Number	HCPCS	Suggested Retail
Boss 4.5 SS/SP	<b>82389</b>	<b>K0837</b>	<b>\$7,449</b>

*Midi-Drive™ Power Wheelchair*- Standard: Body - ocean blue or candy apple red; 14" flat free drive tires, **450 lb. capacity**, 4 point adjustable seat mount. Low 17" top of pan to floor height. Super indoors, 24.4" turning radius, much better than rear wheel drive for great maneuverability. Super rock solid 9° stability/safety. 3/4 Midi-drive much more stable than center drive. Super power & efficiency, 150 amp. modular single power option controller mated to inherently more efficient in-line drive with high torque 4 pole motors. Group 22 or 24 batteries for maximum range & power with 5 m.p.h. speed.

**These Scout Tilt Ready Powerbases come standard: *Body - ocean blue, candy apple red or midnight black; 2 point seat post and alloy wheels. See literature for complete list of features and specifications. Tilt system sold separately.***

Model	Part Number	HCPCS	Suggested Retail
<b>TPB - (Tilt Powerbase)</b>	<b>MD - (Midi-Drive™)</b>		

**Scout™ MI-350 SS/SP-TPB**      **82338**      **K0837**      **\$5295**  
Standard: 10" flat free drive tires, **350 lb. capacity**, 23.5" width, alloy wheels, 4.7 m.p.h., 4 Pole High Torque Motors. Low 17" top of pan to floor height.

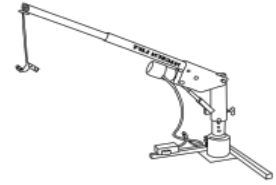
**Scout™ RF4 SS/SP-MD-TPB**      **82339**      **K0837**      **\$5695**  
Standard: 10" flat free tires (drive), **425 lb. capacity**, 26.5" width, 4.7 m.p.h., dual 4 pole motors, one piece frame. Low 19" top of pan to floor height.

**Scout™ RFP4 SS/SP-MD-TPB**      **82375**      **K0837**      **\$5775**  
Standard: 14" flat free tires (drive), **450 lb. capacity**, 25" width, 5 m.p.h., dual 4 Pole high torque (1<sup>3/4</sup> hp Total) motors, one piece frame. Low 19.25" top of pan to floor height.

# Leisure-Lift® Products

Effective April 15, 2008

## Easy Glide Magnum Lift



Model	Part Number	Suggested Retail
-------	-------------	------------------

<b>Magnum Lift (Trunk)</b>	<b>40113</b>	<b>\$999.00</b>
----------------------------	--------------	-----------------

Easy Glide. . . Shielded radial ball bearing for finger tip rotation (2 lb. push force loaded). Large diameter post for maximum rigidity. **300 lb. capacity**, heavy-duty motor. No maintenance sealed gear drive (no chain or belts to adjust). Use in cars, pick-ups, vans and SUVs with: 3 way boom adjustment, length adjustment 30" to 44", angle adjustment 0 to 45 degrees, height adjustment 17" to 21" . Boom swivels easily, locks for transport, can be easily removed, and folds for easy transport. Remote hand pendant is standard.

<b>Magnum Lift (+ 5.5")</b>	<b>40114</b>	<b>\$1019.00</b>
-----------------------------	--------------	------------------

Same features of the Standard Magnum, but with an additional 5.5" to the main post height.

<b>Magnum Lift (+ 11.5")</b>	<b>40126</b>	<b>\$1024.00</b>
------------------------------	--------------	------------------

Same features of the Standard Magnum, but with an additional 11.5" to the main post height for Van deep well rear seats. Honda, Chrysler, etc.

Options	Part Number	Suggested Retail
---------	-------------	------------------

<b>Basic Docking Device</b>	<b>40053</b>	<b>\$40.00</b>
-----------------------------	--------------	----------------

Designed to fit PaceSaver products (and other units with 1.5" seat posts) Easily removes from the scooter (no need to cut plastic on some models)

<b>Universal Docking Device</b> (for units other than PaceSavers)	<b>40086</b>	<b>\$60.00</b>
--	--------------	----------------

Designed to "clamp-on" to all seat post sizes from 1.5" to 1.75". Requires plastic cutout on some models.

<b>Power Seat Docking Device</b>	<b>40054</b>	<b>\$60.00</b>
----------------------------------	--------------	----------------

Designed to fit Pacesaver's units with power seats (and other power seats with a 2" square actuator) Requires plastic cutout on some models.

<b>Adjustable C-Arm</b>	<b>40084</b>	<b>\$180.00</b>
-------------------------	--------------	-----------------

Used to lift scooters or wheelchairs while standard seat is still attached. Used with choice of Docking Device above.

<b>Large C-Arm (Power Chair)</b>	<b>40085</b>	<b>\$160.00</b>
----------------------------------	--------------	-----------------

Used to lift the entire unit from the base with seat on. Works on all PaceSaver wheelchairs and other units with 1.25" center tubes in frame.

<b>Fusion Docking Device (Fusion only)</b>	<b>40136</b>	<b>\$60.00</b>
--	--------------	----------------

Exits out the back of the rear of the frame.

<b>Fusion C-Arm (Fusion only)</b>	<b>40136</b>	<b>\$180.00</b>
-----------------------------------	--------------	-----------------

Used to lift Fusion while standard seat is still attached. Used with Fusion Docking Device above.

<b>Additional Base &amp; Wiring</b>	<b>40115</b>	<b>\$160.00</b>
-------------------------------------	--------------	-----------------

Allows installation in a second vehicle

<b>Add'l Base &amp; Wiring (+5.5")</b>	<b>40116</b>	<b>\$170.00</b>
--	--------------	-----------------

Same as above, with an extra 5.5" base tube

<b>Add'l Base &amp; Wiring (+11.5")</b>	<b>40128</b>	<b>\$180.00</b>
---	--------------	-----------------

Same as above, with an extra 11.5" base tube

<b>Offset Swivel Post</b>	<b>40130</b>	<b>\$320.00</b>
---------------------------	--------------	-----------------

Allows 4.75" of offset in any direction. Use in Vans & SUV's with stowable seating.

**TERMS & CONDITIONS:** Column marked VGM/USR/HPC Price, single orders shipped complete to one destination.  
**FREIGHT:** Prepay and add on 1 unit, subject to above. Free on any combination of two or more lifts, scooters and power wheelchairs, excluding batteries, subject to above, Seller's choice, usually UPS. Batteries shipped prepay and add. Subject to above, Sellers choice, usually UPS.  
**STANDARD PAYMENT TERMS:** 4% 10, Net 30 days, with approved credit. We also accept Discover, Mastercard, & Visa. Third-party financing available. WAC  
**WARRANTY:** Please see literature for warranty information.  
**NOTE:** Some part numbers may vary depending on option, model, or other factors. Option prices apply only when purchased with a Magnum Lift. Please contact Leisure-Lift customer service to be sure of correct part numbers. This price list supersedes all previous price lists.

# Accessories & Options

Effective April 15, 2008

The following is a list of available accessories and options for Leisure-Lift products. See specific product description to know what is standard on various models. Not all accessories and options are available on all models. See product literature for complete list of features and specifications.

Description	Scooter PN Wheelchair PN	HCPCS	Suggested Retail
<b><u>Arms</u></b>	<b>16134</b>		<b>\$48</b>
<b><u>Width adjustable/Removable</u></b>	<b>Std. on Pwc</b>		
Arm rests can be adjusted in or out to provide a custom fit for the rider. Also, arm rests can be easily removed and reattached to increase ease of transfer or decrease the overall scooter or wheelchair width.			
<b><u>Arms</u></b>	<b>16132 Scooter</b>		<b>\$90</b>
<b><u>Height &amp; Width Adjustable/Removable</u></b>	<b>81385 PWC</b>		<b>\$90</b>
Arm rests can be adjusted up or down and in or out to provide a custom fit for the rider. Also, arm rests can be easily removed and reattached to increase ease of transfer or decrease the overall scooter or wheelchair width. (see wide seat).			
<b><u>Heavy-Duty Steel Components</u></b>	<b>16181 Scooter</b>		<b>\$110</b>
<b><u>Height &amp; Width Adjustable/Removable</u></b>	<b>81674 PWC</b>		<b>\$110</b>
Heavy-Duty Arm rests can be adjusted up or down and in or out to provide a custom fit for the rider. Also, arm rests can be easily removed and reattached to increase ease of transfer or decrease the overall scooter or wheelchair width.			
<b><u>Arm Pads - Long</u></b>	<b>(scooters &amp; pwc) 81333</b>		<b>\$15 ea</b>
14" arm pad provides 6 different mounting positions in 1" increments to provide an additional 3" of support. Allows for both length and width adjustments. Available on scooters or wheelchairs.			
<b><u>Admiral's Seat 18" x 18"</u></b>	<b>(Scooters) Call</b>		<b>\$160</b>
Adjustable position 32° recline, 20" high back with lumbar side supports and width adjustable/removable arms, flip-up combined with 18" wide and 18" deep exceptionally comfortable seat base. Available in gray, or black velvet, gray, or charcoal vinyl (black velvet on special order).			
<b><u>Admiral's Seat 18" x 18"</u></b>	<b>(pwc) Call</b>		<b>\$160</b>
Same as above with 50° recline. Standard on Boss 4.5 and RF-P4			
<b><u>Admiral's Seat 21" x 21"</u></b>	<b>50° Recline (pwc) Call</b>	<b>E1225</b>	<b>\$330</b>
Same as our 18" Admiral's seat except 21" x 21", gray vinyl is stocked, all other colors 2-4 week lead time.			
<b><u>Admiral's Seat 24" x 21"</u></b>	<b>(pwc) Call</b>	<b>E1225</b>	<b>\$330</b>
Same as our 18" Admiral's seat except 24" x 21", gray vinyl is stocked, all other colors is a 2-4 week lead time.			
<b><u>Admiral's Seat Custom Size</u></b>	<b>Call</b>	<b>E1225</b>	<b>\$598</b>
<b>50° Recline(scooters &amp; pwc)</b>	<b>Boss 4.5 &amp; RF-P4</b>		<b>\$400</b>
	<b>Boss &amp; Boss 6NS</b>		<b>\$700</b>
Same as our regular Admiral's seat except you specify size & color, 3-5 week lead time.			

# *Accessories & Options*

Description	Scooter PN Wheelchair PN	HCPCS	Suggested Retail
<b><u>50° Manual Recline (Admiral's Seat only)</u></b> (pwc) <b>81627</b>		<b>E1225</b>	<b>\$452</b>
Allows 50° of manual recline to any Admirals seat, providing extended seating comfort. Adjustable Head Rest Extension is highly recommended. <b>Not available on scooters.</b> Many accessories mounted behind seat back cannot be used with this option. Standard on Boss 4.5, RF-P4, Boss and Boss 6NS with Admiral Seats. (All pwc's with Admiral Seat come standard with a 50° Recline)			
<b><u>Admiral's Seat/Wood Seat Pan</u></b> (scooters & pwc) <b>Call</b>		<b>E1225</b>	<b>\$452</b>
Upholstered Admiral's (50° Recline) seat back with black plywood bottom that allows use of therapeutic seat cushions.			
<b><u>Wide Seat</u></b>	(scooters & pwc) <b>Call</b>		<b>\$150</b>
A 21" wide <i>Com-for-back</i> <sup>TM</sup> seat for riders that require more space. Adjustable/removable arms are required. Available in all velvet and vinyl color choices.			
<b><u>Extra Wide /Custom Seat</u></b>	(scooters & pwc) <b>Under 23"</b>		<b>\$250</b>
	(scooters & pwc) <b>24" - 30"</b>		<b>\$300</b>
A 24"/26"/28" or 30" wide <i>Com-for back</i> <sup>TM</sup> seat for riders that require more space. Adjustable/removable arms are required. Maximum seat width for single post scooters and power wheelchairs is 24". Maximum on an RF-P4 is 26". Specify color. <b><u>Special order only - extended lead time.</u></b>			
<b><u>Sliding Seat</u></b>	(scooters only) <b>16512</b>		<b>\$50</b>
Allows 5" of movement - 1 1/2" to front and 3 1/2" to rear of standard seat position on all units except Fusions. <b><u>Sliding seat adds 1 vertical inch to each seat position. Not available on Atlas models.</u></b>			
<b><u>Standard Seat/Wood Seat Pan</u></b>	(scooters & pwc) <b>16" - 20" wide</b>		<b>\$120</b>
	(scooters & pwc) <b>21" - 24" wide</b>		<b>\$200</b>
	(Boss, Boss 6NS, 4.5, RF-P4) <b>24" wide</b>		<b>\$250</b>
Upholstered seat backs with black plywood bottoms that allow use of therapeutic seat cushions. <b><u>Longer lead times apply on special order items.</u></b>			
<b><u>Adjustable Head Rest Extension</u></b>	(scooters & pwc) <b>Call</b>		<b>\$60</b>
An automotive style adjustable head rest for use on any <i>Com-for-back</i> <sup>TM</sup> or Admirals seat.			
<b><u>Power Seat</u></b>	450lb Cap.	<b>Scooters</b>	<b>E2300</b>
	N.J. Made	<b>Wheelchairs</b>	<b>\$970</b>
		<b>Boss 4.5</b>	<b>\$1148</b>
	Power Seat For Tilt		<b>\$1148</b>
Allows the rider to raise or lower seat height 5" to 6" while seated and stationary, making it easier to transfer and reach high spots without standing. Can not be used with a sliding seat option on all Atlas models. <b>Not available on Boss &amp; Boss 6NS, RFP3 and RF-P4.</b>			
<b><u>Anti-Tips (side)</u></b>	(scooters only) <b>Call</b>		<b>\$80</b>
Wheels mounted near the front on each side of a 3 wheeled scooter to help provide additional side stability. Standard on all Atlas 3 wheeled scooters & available on all other 3 wheeled models.			

# Accessories & Options

Description	Scooter PN Wheelchair PN	HCPCS	Suggested Retail
<b><u>Anti-Tips (STANZA)</u></b> (wheelchairs only) Call			<b>\$700</b>
The Stanza powered anti-tip is a motorized mechanism that raises & lowers the front anti-tip wheels on the Boss, Boss 6NS, Boss 4.5, RF-P4 and Explorer models. For easy step on footrest access and increased Stability			
<b><u>Attendant Control</u></b> (wheelchairs & tilt) Call		<b>E2331</b>	<b>\$600</b>
The attendant control unit is a module of the Shark wheelchair control system, intended to allow operation of the drive/or actuator(s) by an attendant. The attendant can adjust the drive speed and return control to the user from the attendant control unit. Available on all models with a Shark controller.			
<b><u>Expandable Controller</u></b>		<b>E2377</b>	<b>\$800</b>
<b><u>Back-up Beeper</u></b> (scooters only) 10006			<b>\$50</b>
A beeper similar to the throttle horn can be installed in the controller to beep when you are backing up.			
<b><u>Basket -Folding</u></b>	<b>10701</b> <b>81151</b>		<b>\$36</b> <b>\$36</b>
A permanently attached basket that opens to accommodate items for easy transport, and can be folded closed when not needed. Chrome-plated all metal construction. Can be mounted on the seat-back of most models.			
<b><u>Batteries, U1</u></b>	<b>10703</b> <b>80051</b>		<b>\$150ea</b> <b>\$150ea</b>
High-quality U-1 sealed deep-cycle batteries that carry a six-month PaceSaver warranty. Optional on all scooter and Scout M-series models.			
<b><u>Batteries, Group 22</u></b> (wheelchair only) 81129		<b>E2365</b>	<b>\$250ea</b>
High-quality Group 22 sealed deep-cycle batteries that carry a six-month PaceSaver warranty. <b>Not available on scooter models.</b> Optional on all Scout wheelchair models, excluding the Scout M.			
<b><u>Batteries, Group 24</u></b> (wheelchair only) 81673		<b>E2361</b>	<b>\$300ea</b>
High-quality Group 24 sealed deep-cycle batteries that carry a six-month PaceSaver warranty. <b>Not available on scooter models.</b> Available on Scout RF4, Boss 6, Boss 4.5 & Boss 6NS models. Not available on RF-P4/P3 & Scout RF14 Equalizer base.			
<b><u>Battery Cover - One-Piece</u></b> (scooters only) Call		<b>E2363</b>	<b>\$NC</b>
This part completely covers the rear-end of the scooter, including both batteries, and provides a sleek and streamlined appearance. Also available as a field installed accessory. Available in matching scooter colors. Standard equipment on Eclipse, Espree. Optional equipment on Plus III models.			
<b><u>Charger -On-Board</u></b> (scooters only) Call			<b>\$65</b>
Allows for easy and convenient battery charging. Transporting and connecting a separate battery charger is eliminated. Standard equipment on all Espree, Eclipse models and Plus III Atlas. Optional equipment on all models.			
<b><u>Charger - On-Board</u></b> (wheelchair only) 82281			<b>\$60</b>
On-Board Charger option mounts for easy access. Just plug in our Micro-Light™ Super Charger for a quick charge. Available on M1-Series Only.			
<b><u>Charging Harness-Off-Cart</u></b> (scooters only) Call			<b>\$60</b>
Allows for easy remote charging of batteries when using a standard, separate battery charger. Optional equipment on all scooter models, except those with On-Board Charger.			
<b><u>Cupholder</u></b>	<b>14635/81163</b>		<b>\$22</b>
Provides a convenient way to carry cups or water bottles. Optional equipment on all models. Some assembly required.			

# Accessories & Options

Description	Scooter PN Wheelchair PN	HCPCS	Suggested Retail
<b><u>Deluxe Light Package (scooters only)</u></b>	<b>17388</b>		<b>\$280</b>
Includes headlight, rear “tail-lights”, and front & rear directional signals. Provides a near automotive feel, and greatly enhances the rider’s visibility and safety in low-light settings. Optional equipment on all scooter models.			
<b><u>Dual Accessory Mount (scooters &amp; pwc)</u></b>	<b>17172</b>		<b>\$60</b>
Holds an Oxygen holder and Walker/Crutch holder. Optional equipment on all models except Boss and Boss 6NS. Special precautions should be taken to determine the effects on ramp incline stability with the installed accessories.			
<b><u>Flag (scooters, pwc &amp; tilt)</u></b>	<b>16640</b>		<b>\$40</b>
Orange safety flag - includes mounting hardware. Optional equipment on all models. Requires curved back with tilt system.			
<b><u>Flat-Free Tires</u></b>	<b>All 3 wheel scooters</b>	<b>Call</b>	<b>\$120/set - 3</b>
	<b>All 4 wheel scooters</b>	<b>Call</b>	<b>\$160/set - 4</b>
	<b>All Power Wheelchairs</b>	<b>Call</b>	<b>\$160/set - 4</b>
Tires are filled with foam instead of air, so when punctured, they do not go flat. Highly recommended for outdoor use and in areas where tire punctures are likely.			
<b><u>Front Bag</u></b>	<b>14632</b>		<b>\$50</b>
	<b>81166</b>		<b>\$50</b>
Larger than the Saddle Bag, this bag attaches to the armrest. Perfect for keeping slightly larger items close when a basket is not desired. Optional equipment on all models. Some assembly required.			
<b><u>Oxygen Cylinder Holder - “E” size</u></b>	<b>16889</b>	<b>E2208</b>	<b>\$110</b>
	<b>81776</b>		<b>\$110</b>
Attaches to seat bracket and allows for safe transportation of most popular portable high-pressure oxygen cylinders. Sturdy enough to secure cylinder plus regulator and conserving device.			
<b><u>Pelvic Strap</u></b>	<b>10892</b>		<b>\$42</b>
Adds stability for the rider. Mechanical buckle on all models. Optional equipment on all scooter models. Standard on all power chairs.			
<b><u>Pelvic Strap-Extra Long</u></b>	<b>10892</b>		<b>\$42</b>
	<b>81652</b>		<b>\$42</b>
Adds stability for the rider. Mechanical buckle on all models. Standard on Boss & Boss 6NS. Optional equipment on all other models.			
<b><u>Pelvic Strap-Aircraft (tilt only)</u></b>	<b>30317</b>		<b>\$42</b>
Allows you to lift with your finger tips to release the buckle.			
<b><u>Rear-View Mirror (scooters only)</u></b>	<b>12142</b>		<b>\$30</b>
High-quality mirror that mounts to the end of the standard tiller and provides a great view of the action behind the rider. Optional equipment on all models except those with Delta Tiller.			
<b><u>Rear Mounted Joystick (wheelchairs only)</u></b>	<b>81781</b>	<b>E2331</b>	<b>\$100</b>
Unique low cost design that allows the joystick to easily move to a position for the rider to use or an alternate position for an attendant to use. No tools are required for use. Optional equipment on M-Series only.			

# Accessories & Options

Description	Scooter PN Wheelchair PN	HCPCS	Suggested Retail
<b><u>Retractable Joystick Mount</u></b> (pwc) <b>Call</b>		<b>E1028</b>	<b>\$199</b>
Activation allows joystick to be moved to the side and back, facilitating easy forward stationary access. Then the joystick may be returned to a more comfortable driving position. Optional on all wheelchair models.			
<b><u>Saddle Bag</u></b>	<b>14633</b> <b>81165</b>		<b>\$30</b> <b>\$30</b>
Easily buckles around either armrest. Great for items like wallets, billfolds, glasses, and other small items. Optional equipment on all models. Some assembly required.			
<b><u>Stretch Frame</u></b> (scooters only) <b>Call</b>			<b>\$200</b>
Adds four inches to length of any Plus III or Espree model, including Atlas. Extra length vastly increases leg room for taller riders, or for those who have trouble bending their knees. Comes standard with tiller extension (adds 2.5" to tiller). <b>Not available on Eclipse models.</b>			
<b><u>Throttle -Delta Pull</u></b> (scooters only) <b>12724</b>			<b>\$50</b>
Allows for finger-tip operation for those riders with limited dexterity. Available only on Delta Tiller.			
<b><u>Throttle -Left Hand</u></b> (scooters only) <b>Call</b>			<b>\$50</b>
Changes controlling the forward operation of a scooter by pushing the throttle bar with your left thumb instead of your right. Also comes with left hand seat lock.			
<b><u>Thumbrest Extension</u></b> (scooters only) <b>11406</b>			<b>\$30</b>
Lengthens standard throttle, making it easier to push & pull throttle, especially for riders with limited dexterity. Cannot be used with Delta Tiller. Optional equipment on all models except Eclipse & Passport IV models.			
<b><u>Tiller -Delta</u></b> (scooters only) <b>12743</b>			<b>\$50</b>
This tiller style offers superb wrist support, delivering enhanced hand, arm and shoulder comfort. Standard equipment on Eclipse models. Optional equipment on all other scooter models.			
<b><u>Tiller Extension</u></b> (scooters only) <b>16720</b>			<b>\$50</b>
Adds 2.5" to any tiller. Affords greater comfort for taller riders, and is standard on Stretch Frame models. Optional on all other models.			
<b><u>Walking Cane Holder</u></b>	<b>10705</b> <b>Call</b>	<b>E2207</b>	<b>\$8</b> <b>\$8</b>
Attaches to seat back, allowing for easy and secure transportation of a walking cane. Optional equipment on all models. Requires rehab curved back on rehab cane seating system.			
<b><u>Walker/Crutch Holder</u></b>	<b>16938</b> <b>Call</b>	<b>E2207</b>	<b>\$130</b> <b>\$130</b>
Enables rider to easily transport crutches or a walker while riding any Scooter or wheelchair. Holder can be easily detached and attached when needed. All metal construction. Completely adjustable. Optional equipment on all models except tilt systems.			

# *Accessories & Options*

(WHEELCHAIRS & EQUALIZER TILT ONLY)

Description	Scooter PN Wheelchair PN	HCPCS	Suggested Retail
<b><u>Amputee Stump Support</u></b>	<b>Single</b> <b>Double</b>	<b>E1020</b>	<b>\$220</b> <b>\$440</b>
Custom sized, telescoping and removable. Call for details.			
<b><u>Bracket Leg Rest/Foot Rest Mounting</u></b>	<b>Call</b>	<b>K0044</b>	<b>\$65</b>
<b>Required for</b> Elevating Legrests & Swing-Away Footrests to be mounted to any Scout seating. Please specify seating option. Optional on all Scout models.			
<b><u>Elevating Leg Rests - Heavy-Duty</u></b>	<b>Call</b> <b>RF4, BOSS 4.5 &amp; RF-P4</b> <b>BOSS &amp; BOSS 6NS</b>	<b>E0990</b>	<b>\$158 ea</b> <b>\$200 ea</b> <b>\$210 ea</b>
Rated at 500 lb. capacity. Attach to any Scout seating system. 600 lb. capacity on Scout Boss. Leg rest/ Foot rest bracket must be ordered separately.			
<b><u>ELR Foam Knee Pad Buttons</u></b>	<b>30368</b>	<b>E0108</b>	<b>\$80 pr</b>
Provide leg positioning support in addition to protecting legs from rubbing on the ELR hardware.			
<b><u>Foot Rests - Swing Away/Detachable</u></b>	<b>Call</b>	<b>E0052</b>	<b>\$92 ea</b>
Attach to any powerchair seating except RF4 & Boss series. ELR/Foot rest bracket must be ordered separately.			
<b><u>Foot Rests - Heavy-Duty Swing Away/Detachable</u></b>	<b>Call</b>	<b>K0052</b>	<b>\$120 ea</b>
Rated at 600 lb. capacity. Attach to any Scout RF4 , Boss, Boss 4.5 or Boss 6NS seating system. Leg rest/Foot rest bracket must be ordered separately.			
<b><u>Footplate - Height Adjustable</u></b>	<b>81718</b>	<b>K0042</b>	<b>\$40</b>
Up to 3" higher in 1" increments. Available on Scout, RF, RF-P4 & RF4 models. Std on all M-series and Boss models.			
<b><u>Footplate with ELR or Dual M1 Footplate</u></b>	<b>Call</b>	<b>K0040</b>	<b>\$200</b>
A foot plate assembly does not come standard on units that have ELR's or swing away foot rests. This option can be ordered if you wish to have a foot plate installed.			
<b><u>Footplate 3" Longer</u></b>	<b>Call</b>	<b>K0041</b>	<b>\$130</b>
Made with 3" longer steel support and plastic cover. Available on Scout, Scout RF, RF-P4 & Scout RF4.			
<b><u>Custom Footplate</u></b>	<b>Call</b>	<b>K0041</b>	<b>\$130</b>
Custom width and length footplates made by attaching an oversized plate to the top of the standard footplate. Available on all power chairs with a flip up footplate.			
<b><u>Edema Pad (Equalizer only)</u></b>	<b>30307</b>	<b>K0108</b>	<b>\$140</b>
Provides a comfortable, angle adjustable platform used to support a persons lower legs at elevations that can be higher than their heart while the seat is tilted.			
<b><u>Elbow Blocks (Equalizer only)</u></b>	<b>30252</b>	<b>K0108</b>	<b>\$30 ea</b>
Bolts behind the arm to provide support that will prevent gravity from pulling your arms backwards while you are tilted.			
<b><u>Heel Straps</u></b>	<b>81322</b>	<b>E0951</b>	<b>\$25 ea</b>
Available on Elevating legrests & Swing-Away detachable footrests.			
<b><u>1" Square Back Canes (Equalizer &amp; Cane Seat)</u></b>	<b>30306</b>		<b>\$40</b>
Option available to replace the standard 1" diameter back canes with square tubing.			

# *Accessories & Options*

(WHEELCHAIRS & EQUALIZER TILT ONLY)

Description	Scooter PN Wheelchair PN	HCPCS	Suggested Retail
<b><u>Controls</u></b>	<b>Call</b>	<b>E2321</b>	<b>\$100</b>
2 function non-integrated controls can operate two powered functions on a power wheelchair without using the joystick controls. Each function control consists of a small plastic box with a rocker switch connected to the batteries and the device you need to operate.			
<b><u>Frame Seat Depth Extension (Equalizer only)</u></b>	<b>30233</b>		<b>\$120</b>
Provides telescoping structural support under solid seat pan up to 22" deep. Available on M1 Equalizer <u>without</u> ELR's or Swing-Aways. Standard on other Equalizer models.			
<b><u>Lateral Thoracic Supports (Curved backs only)</u></b>	<b>30314</b>	<b>E0956</b>	<b>\$460</b>
Swing away Lateral Thoracic Supports that can attach directly to t-nuts in the back or optional mounting tracks. Factory installation requires Mounting Tracks.			
<b><u>Mounting Tracks (Curved backs only)</u></b>	<b>30313</b>		<b>\$110</b>
Mounting tracks for backs to make positioning patient supports easier.			
<b><u>Rehab Basic Seat Cushion (up to 20")</u></b>	<b>30366</b>		<b>\$120</b>
<b><u>Rehab Basic Seat Cushion (wider than 20")</u></b>	<b>Call</b>		<b>\$160</b>
2.5" thick HR foam upholstered with a Dartex cover.			
<b><u>Rehab Curved back - Cane Seating</u></b>			
Available in 14, 16, 18, or 20"	<b>Call</b>		<b>\$240</b>
Custom back 20" or wider	<b>Call</b>		<b>\$340</b>
<b><u>Rehab Headrest Pad (scooters, pwc &amp; tilt)</u></b>	<b>30305</b>	<b>E0955</b>	<b>\$200</b>
7" height x 6.5" wide headrest pad. Contoured for range of vision and lateral support.			
<b><u>Rehab Headrest Extension (scooters, pwc &amp; tilt)</u></b>	<b>30315</b>	<b>E0995</b>	<b>\$140</b>
Multi-axis offset headrest assembly. Complete height, depth & angle adjustable. Does not include pad.			
<b><u>Rehab Headrest Removable Cover (scooters, pwc &amp; tilt)</u></b>	<b>30370</b>		<b>\$60</b>
Foam padded neoprene cover with zipper. Use with Rehab Headrest Pad			
<b><u>Rehab Cane Seating-Adjustable back angle, frame width &amp; depth</u></b>			
Now available with optional curved backs.	<b>Call</b>		<b>\$120</b>
Scout RF4, BOSS 4.5 & RF-P4	<b>Call</b>		<b>\$200</b>
Scout BOSS & BOSS 6NS	<b>82122</b>		<b>\$300</b>
Adjustable back angle ranging from 4° anterior to 16° posterior recline. Adjustable seat depth of 2" in 0.5" increments. Adjustable 14", 16", 18" or 20" or 24" wide. Height adjustable/removable arms. Requires Pelvic strap. ELR compatible.			
<b><u>Rehab Cane Seating - Solid Seat Pan</u></b>	<b>Call</b>		<b>\$140</b>
	<b>BOSS &amp; BOSS 6NS</b>		<b>\$200</b>
Solid 34" polypropylene cut to custom size. 2" drop hooks. Call for details.			
<b><u>Tie Down Anchor for Equalizer</u></b>	<b>30234</b>		<b>\$160</b>
Made of four "U" shaped anchors intended to interface with tie down straps (not included) to secure the scooter or wheelchair ( <b>without rider</b> ) while it is being transported.			
<b><u>Tie Down For Boss Series</u></b>			<b>\$60</b>
Most rehab seating products shown in the Equalizer section of the price list can be used on the cane seating system available on many power chairs and scooters.			

## CUSTOM COMPONENTS

Because we design and manufacture our products in the United States, we can often solve your special needs with relative ease, lower cost and reasonable lead times.

Below is a list of some of the popular modifications we work with.

- Custom seat to floor heights
- Custom seat sizes
- Custom back sizes
- Custom arm support height
- Custom upholstery selection
- 3/4" lower seat bracket
- Privacy flap on seating back
- Hinge extensions to increase gap between seat cushion and back
- Wedge shape shims to adjust back angle.
- Raised scooter floor pan
- Heavy duty front bumper on scooters
- Extra wide power chair foot plates
- Charger upgrade on powerchairs (Micro-Light)
- Powerchair and scooter controller programmable settings
- Longer Elevating Legrests

Call our customer service department for quotes on custom components.

---

### **WARRANTY:**

Please see literature for warranty information.

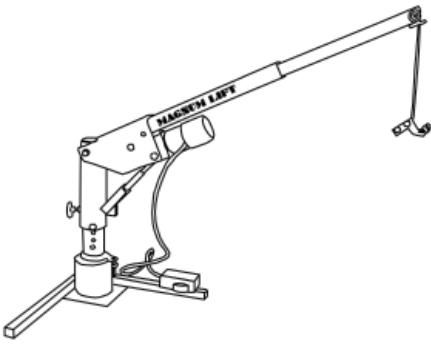
### **NOTE:**

Some part numbers may vary depending on option, color, model, or other factors. Option prices apply only when purchased with a full unit product.

Please contact your local professional PaceSaver dealer to be sure of correct pricing and part numbers. This price list supersedes all previous price lists.

# Leisure-Lift®

Products



## *PaceSaver®*

Scooters



## *Scout™*

Power Wheelchairs



## **EQUALIZER**



**Leisure-Lift, Inc.**

**MSRP Price Lists**

Effective April 15 , 2008

# **TABLE OF CONTENTS**

<b>PaceSaver Scooters</b>	<b>Page 1</b>
<b>Scout Power Wheelchairs</b>	<b>Page 3</b>
<b>Equalizer Tilt Systems</b>	<b>Page 5</b>
<b>Magnum Lifts</b>	<b>Page 6</b>
<b>Accessories &amp; Options</b>	<b>Page 7</b>

- Please refer any questions to our customer service dept. at 800-255-0285.
- Customer service is available Monday - Friday, 8:00am to 4:30pm CST.
- Please see product brochures for complete description & specifications.

## **Leisure-Lift, Inc.**

1800 Merriam Lane  
Kansas City, KS 66106

Toll Free: 800-255-0285

Fax Free: 800-862-8782

Fax: 913-722-2614

Email: [leisure-lift@leisure-lift.com](mailto:leisure-lift@leisure-lift.com)

[www.pacesaver.com](http://www.pacesaver.com)